

# CHRISTIE

## Modular Series Triple Barbecue Cabinet

Christie's flat-packed Modular Series barbecue cabinets set the standard for pre-fabricated public barbecue surrounds. They are versatile, compact, easy to assemble, and very tough - to withstand continued use in the most demanding locations and harshest environments.

### KEY FEATURES:

- Hygienic stainless-steel benchtop with low-impact corner inserts for added safety
- Heavy duty aluminium, concrete and stainless steel construction for ultimate durability and corrosion resistance
- Customize with panel colours, extra cabinet modules, cooktops and sink configurations
- Select additional access doors for extra storage facility
- Flat-packed for easy site access and reduced freight costs
- Fast, simple assembly by any competent person
- Grease trap for ease of removal and cleaning



Product shown with Christie CC2 electric cooktop. Triple cabinets can also be ordered with out natural gas or LPG configured cooktops.

Modular barbecue frames and doors come powder coated in Aztec Silver as standard for maximum durability, with other colours available at additional cost.

Custom panel colours are available and may incur additional cost.

### STANDARD PANEL COLOUR OPTIONS:



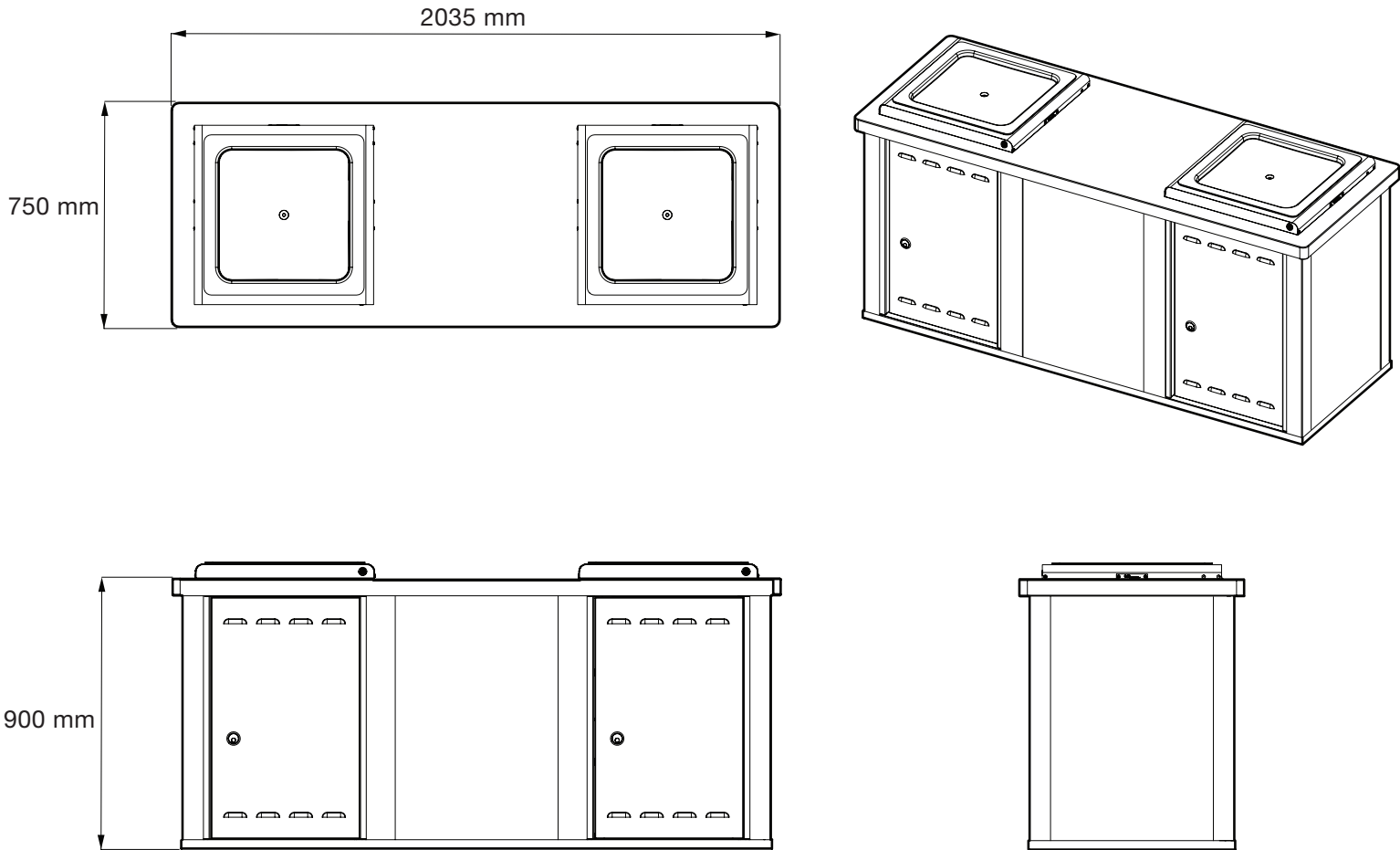
Panels are available in a range of standard colours.

### OPTIONS:

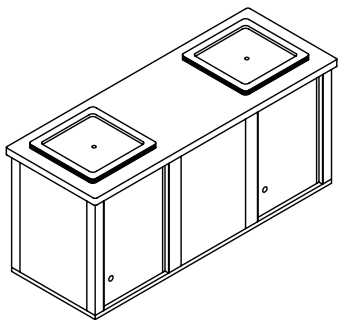


# Christie Modular Series Triple Barbecue Cabinet

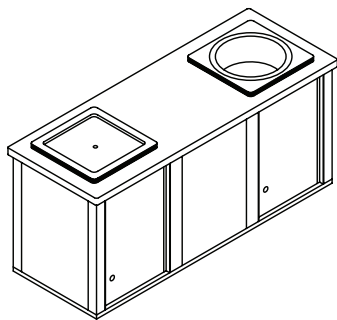
## DIMENSIONS:



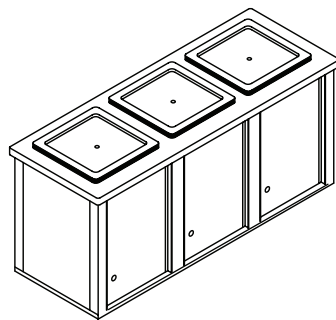
## CONFIGURATIONS:



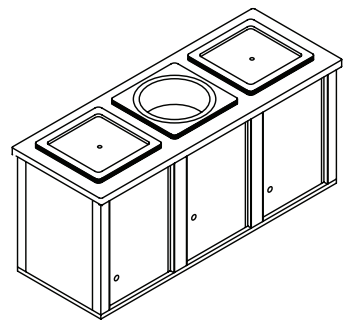
MOD-E-3.2 (Electric)  
MOD-G-3.2 (Gas)



MOD-E-3.2:sink (Electric)  
MOD-G-3.2:sink (Gas)



MOD-E-3.3 (Electric)  
MOD-G-3.3 (Gas)



MOD-E-3.3:sink (Electric)  
MOD-G-3.3:sink (Gas)