

Instructions for wear checks of play equipment

The equipment must be checked for correct operation and safety, especially the points listed below:

Proof of maintenance

Playground.....

Date of installation

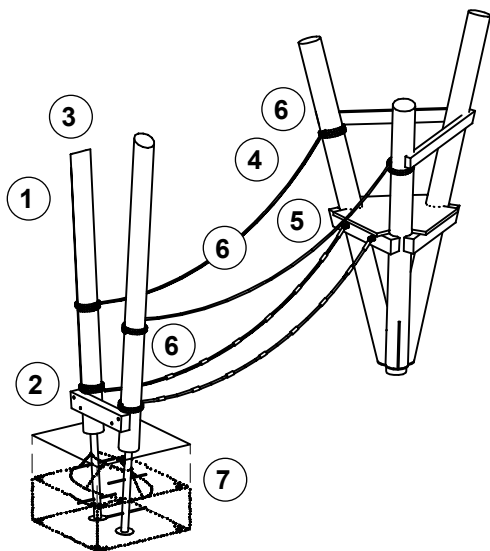
Checks depend on the type of equipment. Any equipment with moving parts must be checked at least twice a year, static equipment at least once a year.

Intervals for maintenance work and checks generally depend on

- location
- usage
- frequency of use
- possible vandalism

For more details see also our general instructions for maintenance of playgrounds!

**End Frame with rope ascent and Aluminium Swages, for triangular podium
Order No. 3.69813**



Wooden parts

1. Check for rot and, if necessary, smooth out splinters and round off sharp edges of cracks.
2. Check that all bolts and screws are tight and retighten if necessary.
3. **Recommendation:** apply paraffin wax to the upper end grain areas once a year, please refer to Order No. 0.90100, 1 litre.

Ropes and rope connections

4. Check ropes for wear and tear, if the steel reinforcement is damaged, it is imperative it be replaced.
5. Check that ropes are securely connected, retighten screws/bolts if necessary.
6. Check that the staples holding the ropes are connected firmly.

Important!

It should not be possible to form loops with the handrail ropes.

Structural stability

7. In order to check steel feet for corrosion, uncover the foundations once a year.

Special notes, e.g. for repairs

Repair not carried out, it is still possible to play on equipment

Repair not carried out, equipment is taken out of action

All work carried out, everything is in order

Maintenance carried out by:

..... Date