

Instructions for wear checks of play equipment

The equipment must be checked for correct operation and safety, especially the points listed below:

Proof of maintenance

Playground.....

Date of installation

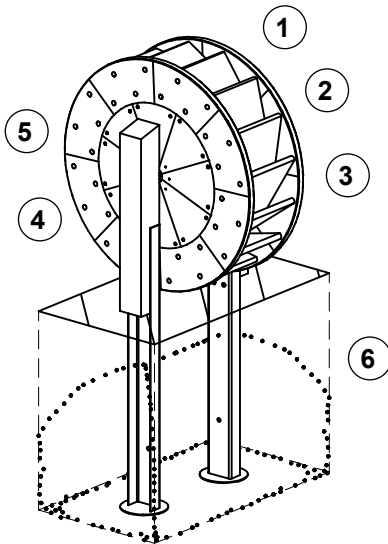
Checks depend on the type of equipment. Any equipment with moving parts must be checked at least twice a year, static equipment at least once a year.

Intervals for maintenance work and checks generally depend on

- location
- usage
- frequency of use
- possible vandalism

For more details see also our general instructions for maintenance of playgrounds!

Mill Wheel
made of wood
Order No. 5.15813



Wooden parts

1. Check for rot (frequent cleaning prevents excessive rotting) and, if necessary, smooth out splinters and round off sharp edges of cracks.
2. Check that all bolts and screws are tight and retighten if necessary.
3. Correct warping and/or swelling by grinding with sand paper.

Function

4. Check that the Mill Wheel moves smoothly.
5. Check ball bearings for wear and tear, replace if necessary (refer to description on page 2).

Structural stability

6. In order to check for corrosion, uncover the foundations once a year.

Special notes, e.g. for repairs

Repair not carried out, it is still possible to play on equipment

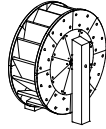
Repair not carried out, equipment is taken out of action

All work carried out, everything is in order

Maintenance carried out by:

..... Date

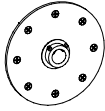
Spare parts
Mill Wheel
Order No. 5.15813



Please note that the safety standards of the equipment must not be affected. Therefore, when carrying out repairs it is helpful to **only use original parts**.

Order No. Spare parts

0.92283 ball bearing (1 item)
incl. bezel and bolts



How to replace the ball bearings

1. Loosen bolts and remove the axle.
2. Take the mill wheel out of the frame.
3. Loosen the bolts of the metal bezel and remove bezel together with the ball bearings.
4. Screw new bezel with integrated ball bearing onto the equipment.
5. Replace mill wheel between the posts and install axle; make sure the equipment moves smoothly and check for proper operation.

