



Play value

The Bending Tree promotes the movement of the waist and hips. Walking around it requires that you simultaneously bend down to different heights.

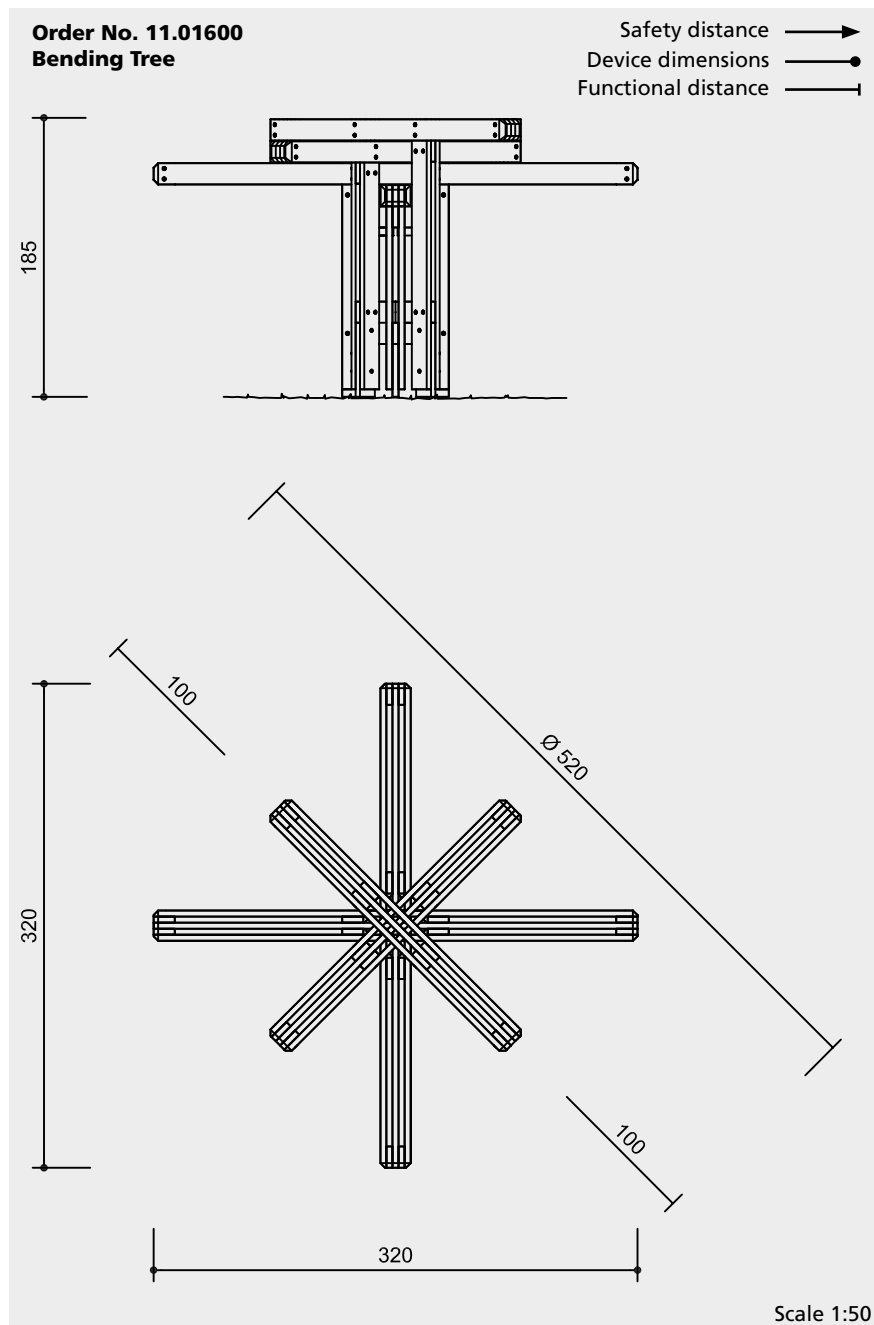


Bending Tree

Recommended for

- Adults
- Older people
- Public play areas without supervision, such as playgrounds, parks or similar





Technical information

Equipment made of non-impregnated mountain larch

Core-free

Sawn-timbers core-free, thus decreasing occurrences of cracking and undesired changes in shape



Adjustable

Adjustable two-piece bolt connection, easy to maintain, no projecting threads



HPL ground anchor

Foundation anchor made of phenol resin paper-based laminates



For more detailed explanation of the quality characteristics see price list.

Sandwich construction frame, oiled, non-positive fitting

Dimensions

(small deviations possible)

Height	1.85 m
Width	3.20 m
Depth	3.20 m
Weight	approx. 380 kg

Safety

This equipment is not playground equipment within the scope of DIN EN 1176 and therefore is also not subject to the requirements of this standard. Nevertheless, it is complied with where appropriate.

Components

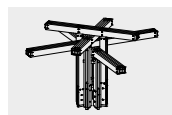
- 1 Middle section with 8 foundation anchors
- 4 Beams

Installation information

Surfacing requirements
no requirements

Foundations
1 item 120 x 120 x 40 cm
Excavation 60 cm

Attention:
Exact measurements may vary;
for all installation dimensions refer
to current assembly instructions.
Technical changes reserved.



11.01600